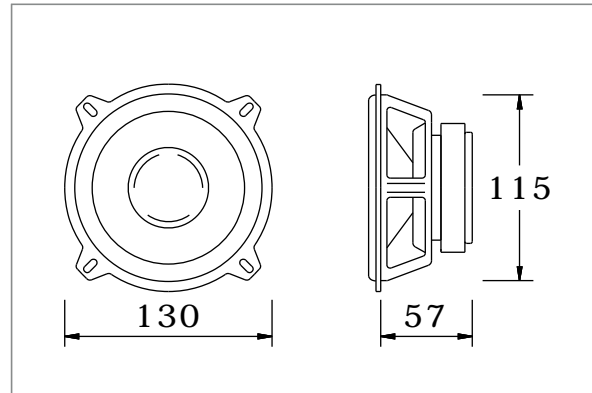


## SD 130 - 130 mm mid-woofer



### TECHNICAL DATA

<u>nominal impedance (Zn)</u>	4 ohm	<u>mechanical Q factor (Qms)</u>	3.19
<u>nominal power (Pn)</u>	100 watt	<u>electrical Q factor (Qes)</u>	0.56
<u>max power (Pm)</u>	200 watt	<u>total Q factor (Qts)</u>	0.48
<u>sensitivity (2.83 V/1 m)</u>	90 dB	<u>moving mass (Mms)</u>	9.5 g
<u>frequency range (BW)</u>	60 ÷ 5000 Hz	<u>compliance (Cms)</u>	0.66 mm/N
<u>resonance frequency (Fs)</u>	63 Hz	<u>equivalent volume (Vas)</u>	7.5 litres
<u>voice coil diameter</u>	26 mm	<u>force factor (BxL)</u>	4.7 N/A
<u>cone material</u>	injected polypropylene	<u>voice coil resistance (Re)</u>	3.3 ohm
<u>surround material</u>	butyl rubber	<u>voice coil inductance (Le)</u>	0.6 mH
<u>basket material</u>	stamped steel	<u>emission diameter (D)</u>	108 mm
<u>magnet material</u>	ferrite	<u>linear excursion (Xmax)</u>	± 2 mm