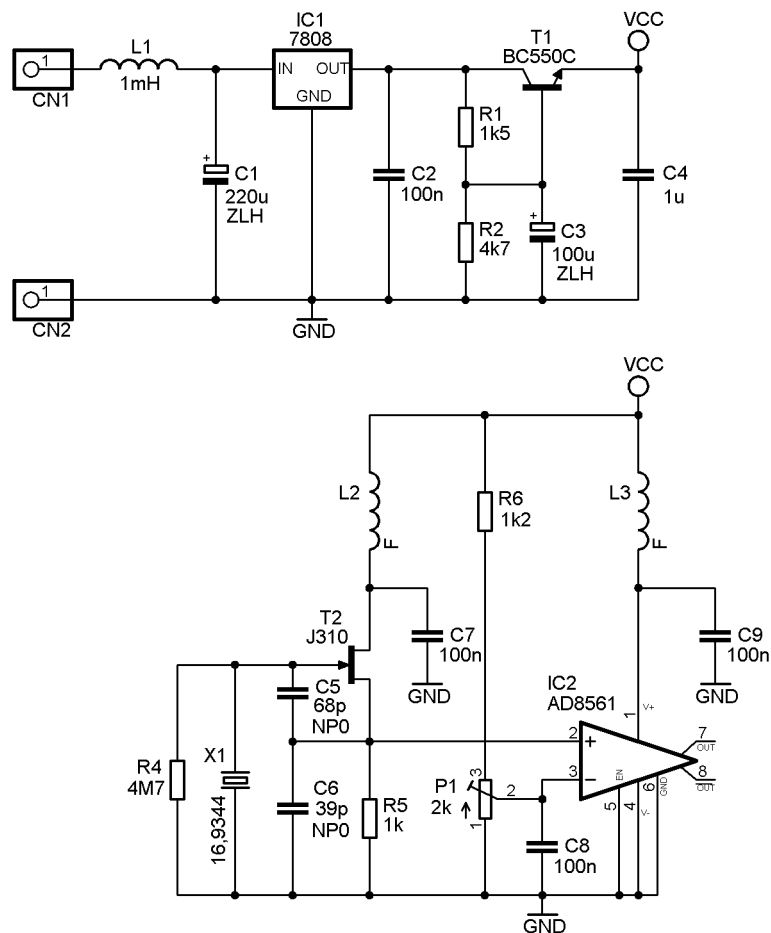


CD63/67 clock, thanks to E.Kwak and G.Tent



Partlist:

Part:	Value:	Device:	Farnell:
C1	220u/16v	Rubycon ZLH 6mm/2,5mm pitch	812-6305
C2,7,8,9	100n/X7R	ceramic 5mm pitch	750-888
C3	100u/16V	Rubycon ZLH 6mm/2,5mm pitch	812-6283
C4	1u/40V	MKT/MKP 5mm pitch	568-211, 110-0589
C5	68p NP0	ceramic 2,5mm pitch	237-024
C6	39p NP0	ceramic 2,5mm pitch	236-998
IC1	7808	regulator TO220	345-8180
IC2	AD8561 (MAX913)	comparator DIL8	960-3867
CN1,2	PCB pin		
L1	1mH	choke axial	608-609
L2,L3		ferrite bead	242-500
P1	2k MT	cermet trimmer 3296Y BOURNS	935-3577
R1	1k5	0207 1% metalfilm	
R2	4k7	0207 1% metalfilm	
R4	4M7	0207 1% metalfilm	
R5	1k	0207 1% metalfilm	
R6	1k2	0207 1% metalfilm	
R7	47R	0207 1% metalfilm, from pin 8 to XTI SM5872 DAC	
T1	BC550C	NPN TO92	109-7289
T2	J310	FET TO92	101-7717
X1	16,9344	crystal HC49S	from player

