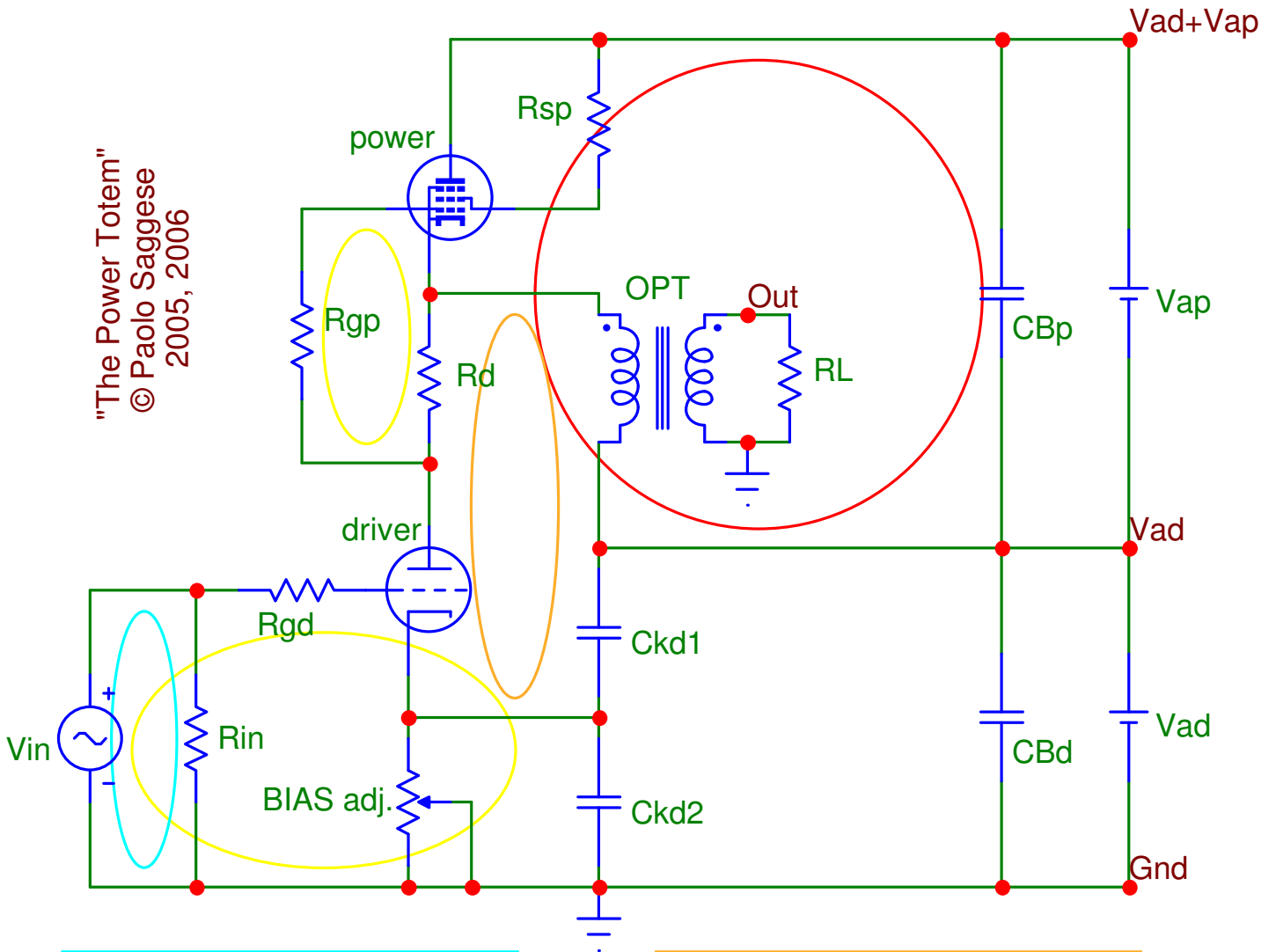


PowerTotem: signal currents path analysis

With floating/stacked power supply



"The Power Totem"
© Paolo Saggese
2005, 2006

Light blue = input signal current

orange = driver tube plate current

Yellow = grid currents

red = power tube plate (+screen) current(s)