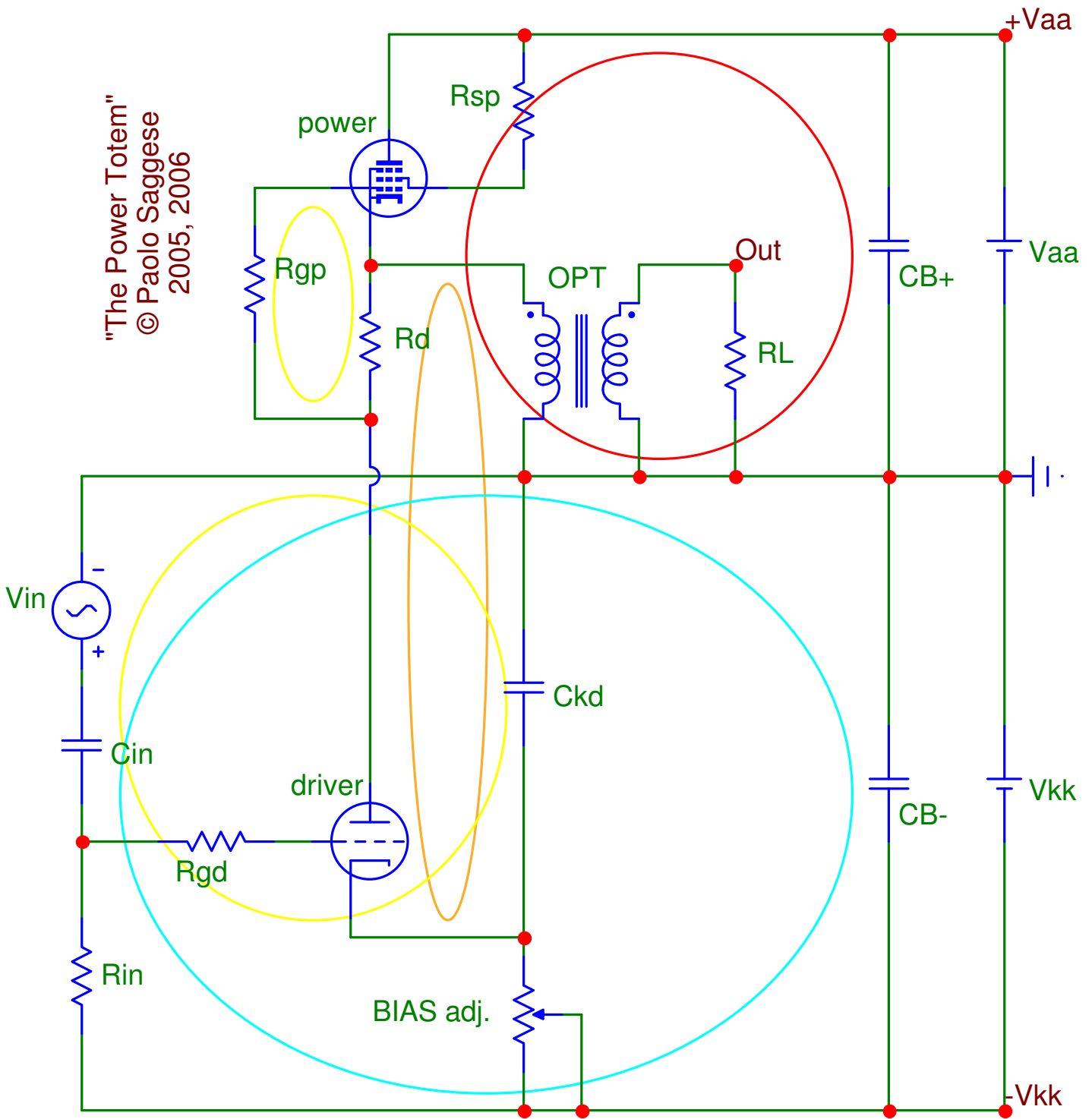


PowerTotem: signal currents path analysis

"The Power Totem"
 © Paolo Saggese
 2005, 2006



Light blue = input signal current

orange = driver tube plate current

Yellow = grid currents

red = power tube plate (+screen) current(s)