

Aug. 15, 1967

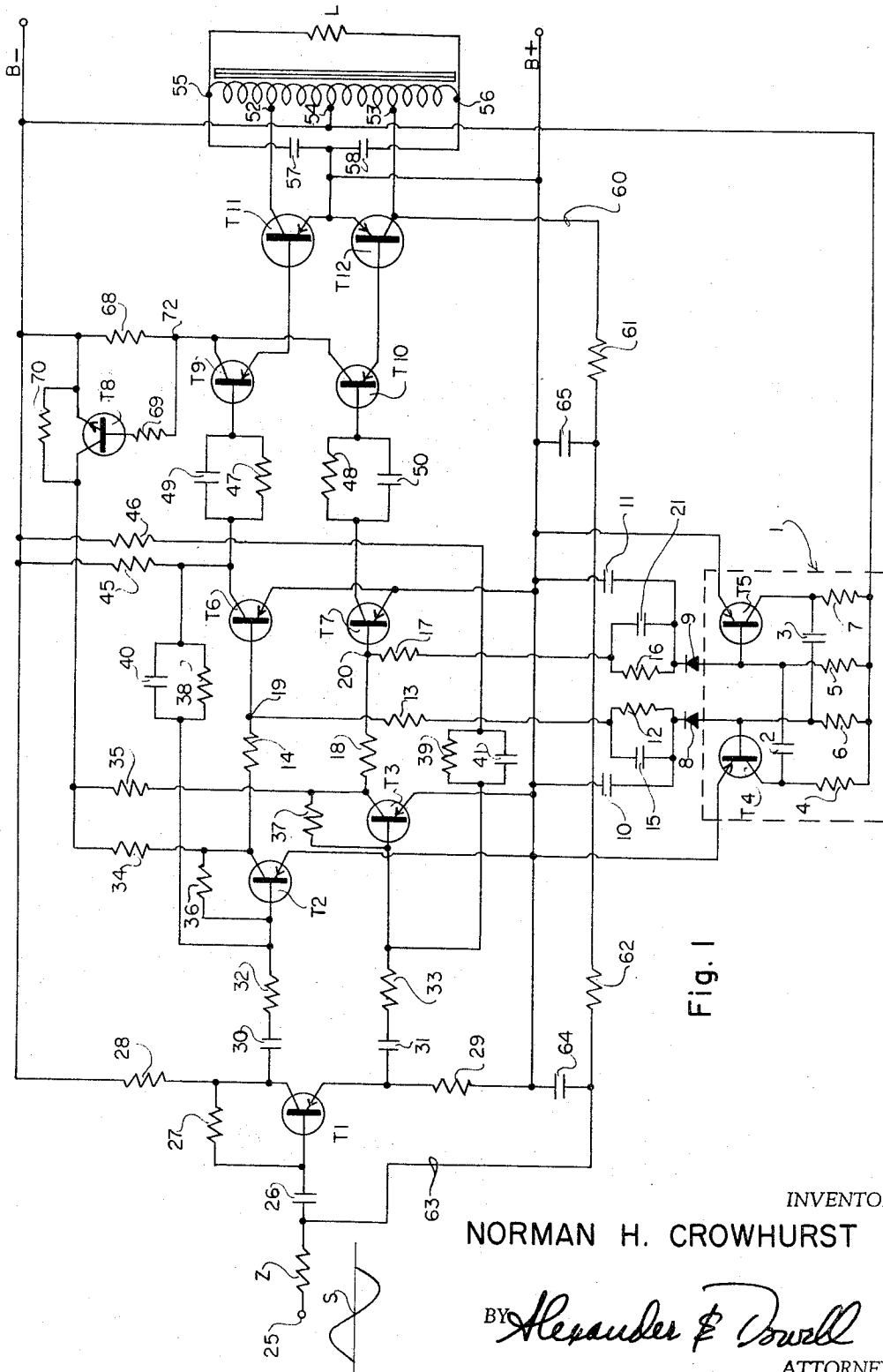
N. H. CROWHURST

3,336,538

TWO-STATE POWER AMPLIFIER WITH TRANSITIONAL FEEDBACK

Filed Aug. 13, 1964

6 Sheets-Sheet 1



INVENTOR

NORMAN H. CROWHURST

BY *Alexander & Dowell*

ATTORNEY

Aug. 15, 1967

N. H. CROWHURST

3,336,538

TWO-STATE POWER AMPLIFIER WITH TRANSITIONAL FEEDBACK

Filed Aug. 13, 1964

6 Sheets-Sheet 2

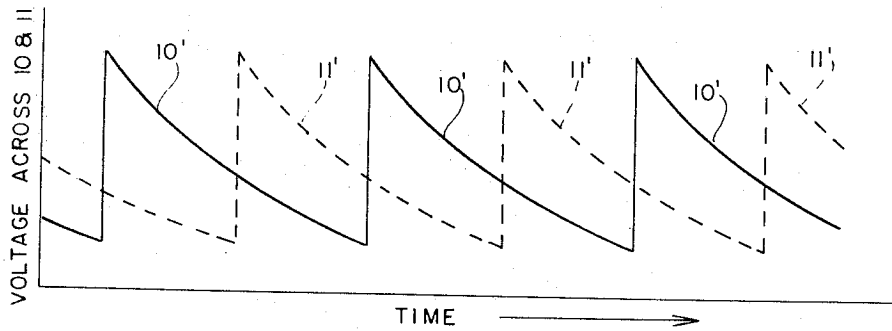


Fig. 2

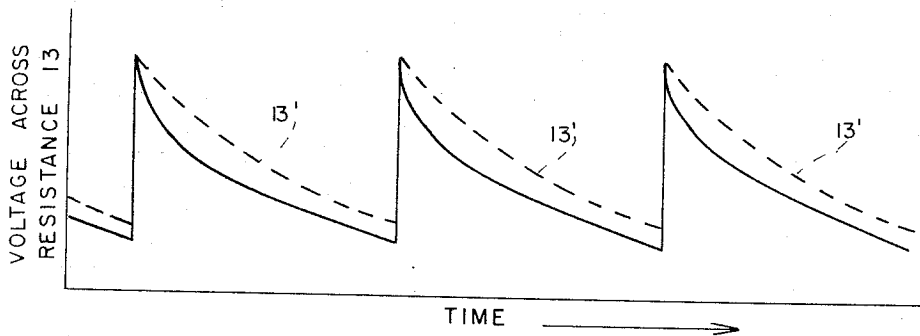


Fig. 3

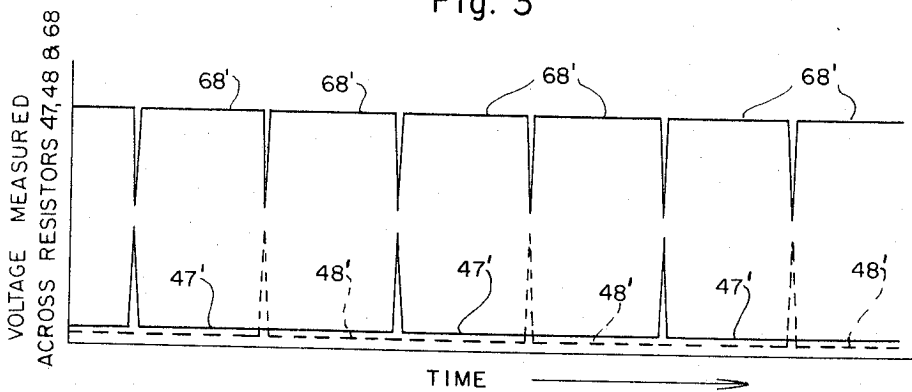


Fig. 4

NORMAN H. CROWHURST ^{INVENTOR}

BY *Alexander J. Dowell*

ATTORNEY

Aug. 15, 1967

N. H. CROWHURST

3,336,538

TWO-STATE POWER AMPLIFIER WITH TRANSITIONAL FEEDBACK

Filed Aug. 13, 1964

6 Sheets-Sheet 3

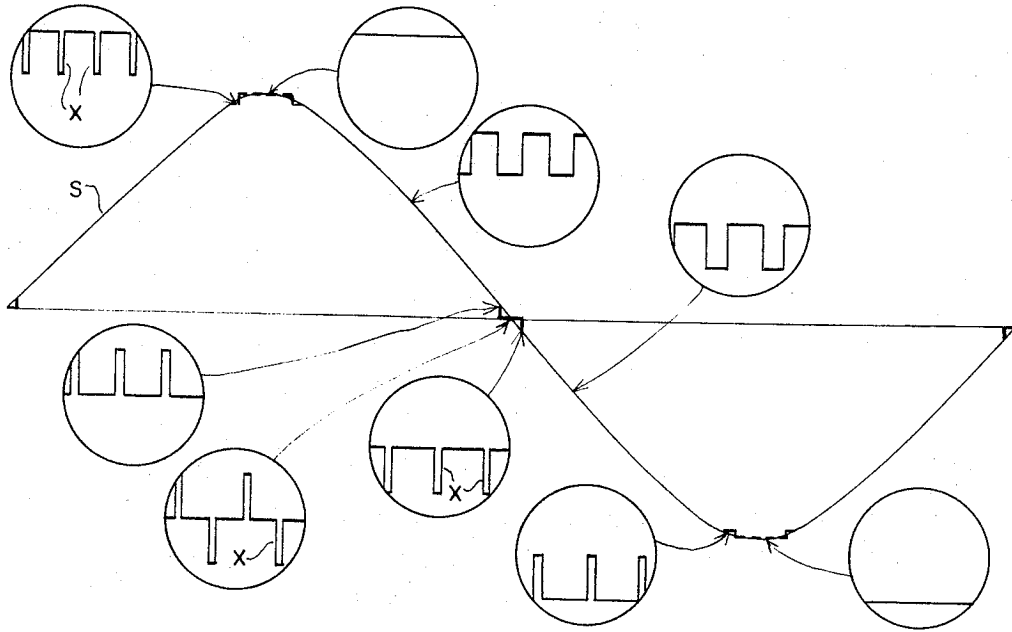


Fig. 5

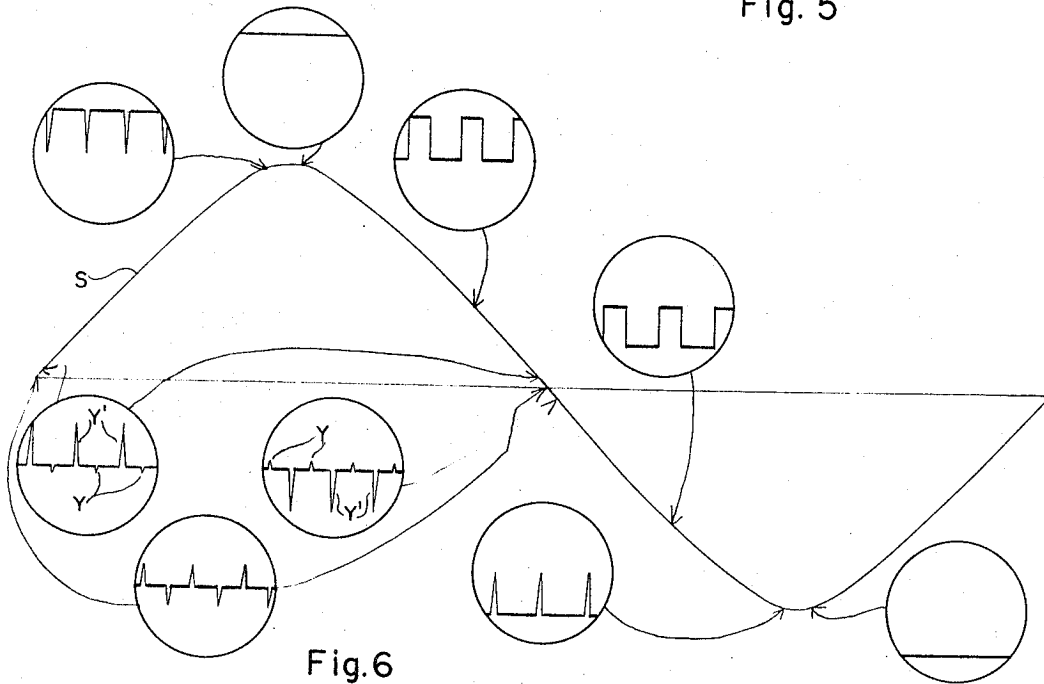


Fig. 6

NORMAN H. CROWHURST ^{INVENTOR}

BY *Alexander & Dowell*

ATTORNEY

Aug. 15, 1967

N. H. CROWHURST

3,336,538

TWO-STATE POWER AMPLIFIER WITH TRANSITIONAL FEEDBACK

Filed Aug. 13, 1964

6 Sheets-Sheet 4

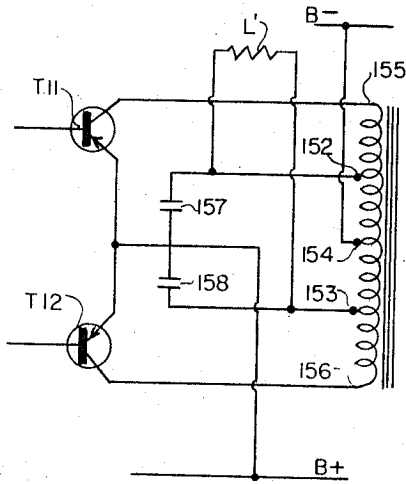


Fig. 7

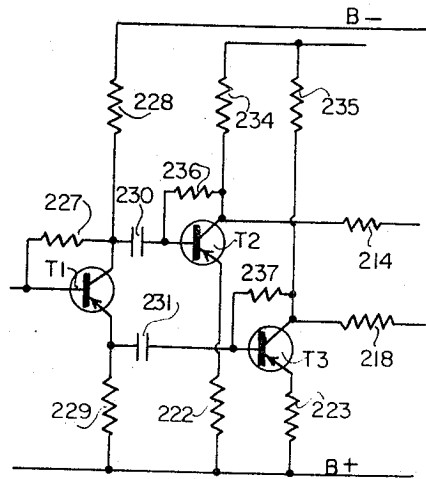


Fig. 8

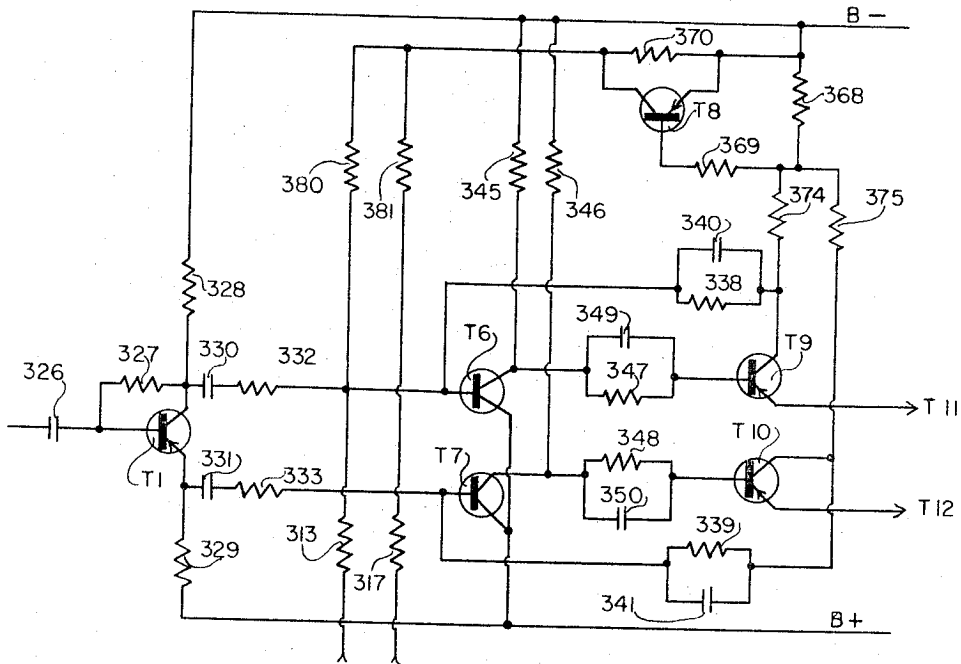


Fig. 9

INVENTOR
NORMAN H. CROWHURST

BY *Alexander & Powell*
ATTORNEY

Aug. 15, 1967

N. H. CROWHURST

3,336,538

TWO-STATE POWER AMPLIFIER WITH TRANSITIONAL FEEDBACK

Filed Aug. 13, 1964

6 Sheets-Sheet 5

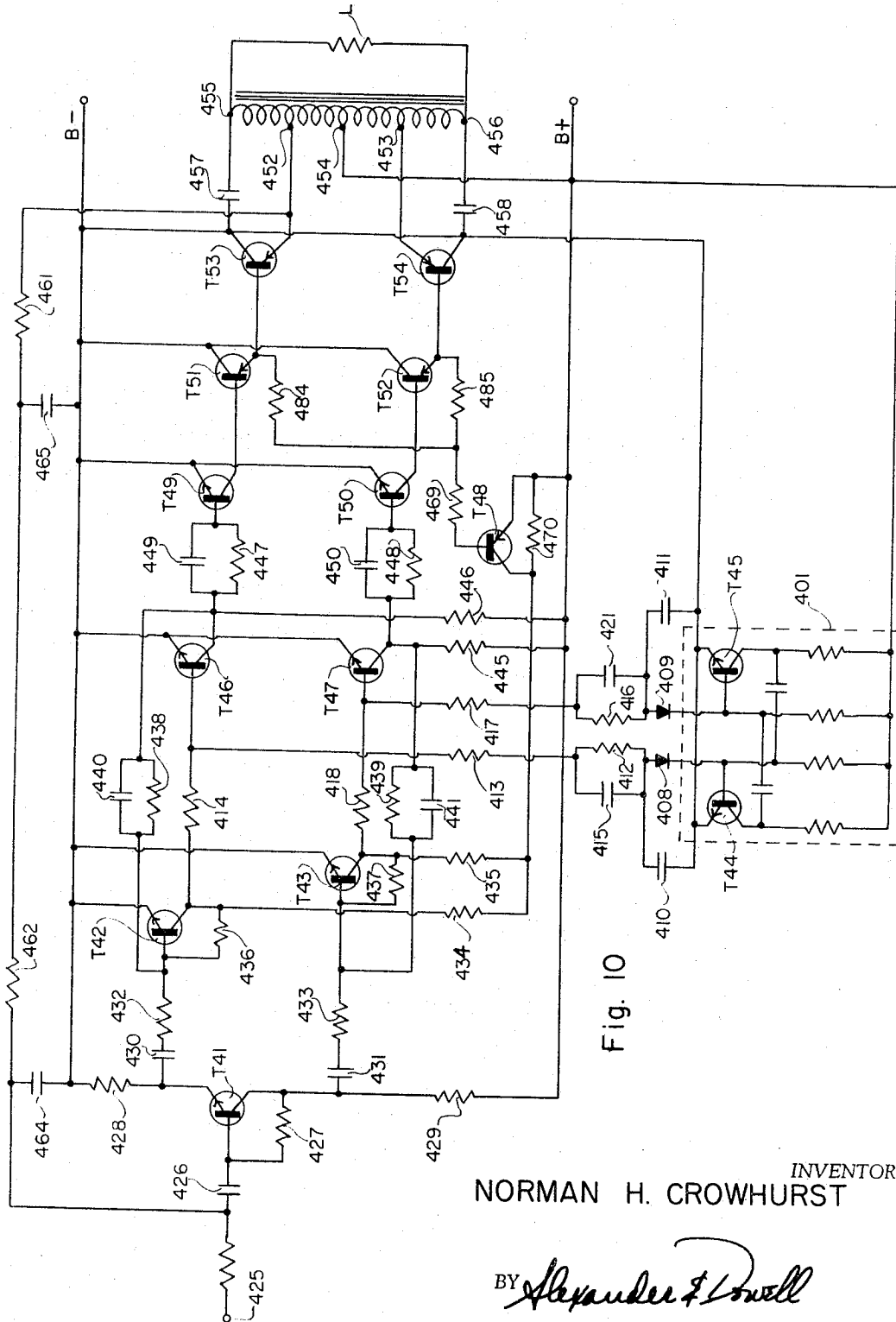


Fig. 10

INVENTOR
NORMAN H. CROWHURST

BY *Alexander & Dwell*

ATTORNEY

Aug. 15, 1967

N. H. CROWHURST

3,336,538

TWO-STATE POWER AMPLIFIER WITH TRANSITIONAL FEEDBACK

Filed Aug. 13, 1964

6 Sheets-Sheet 6

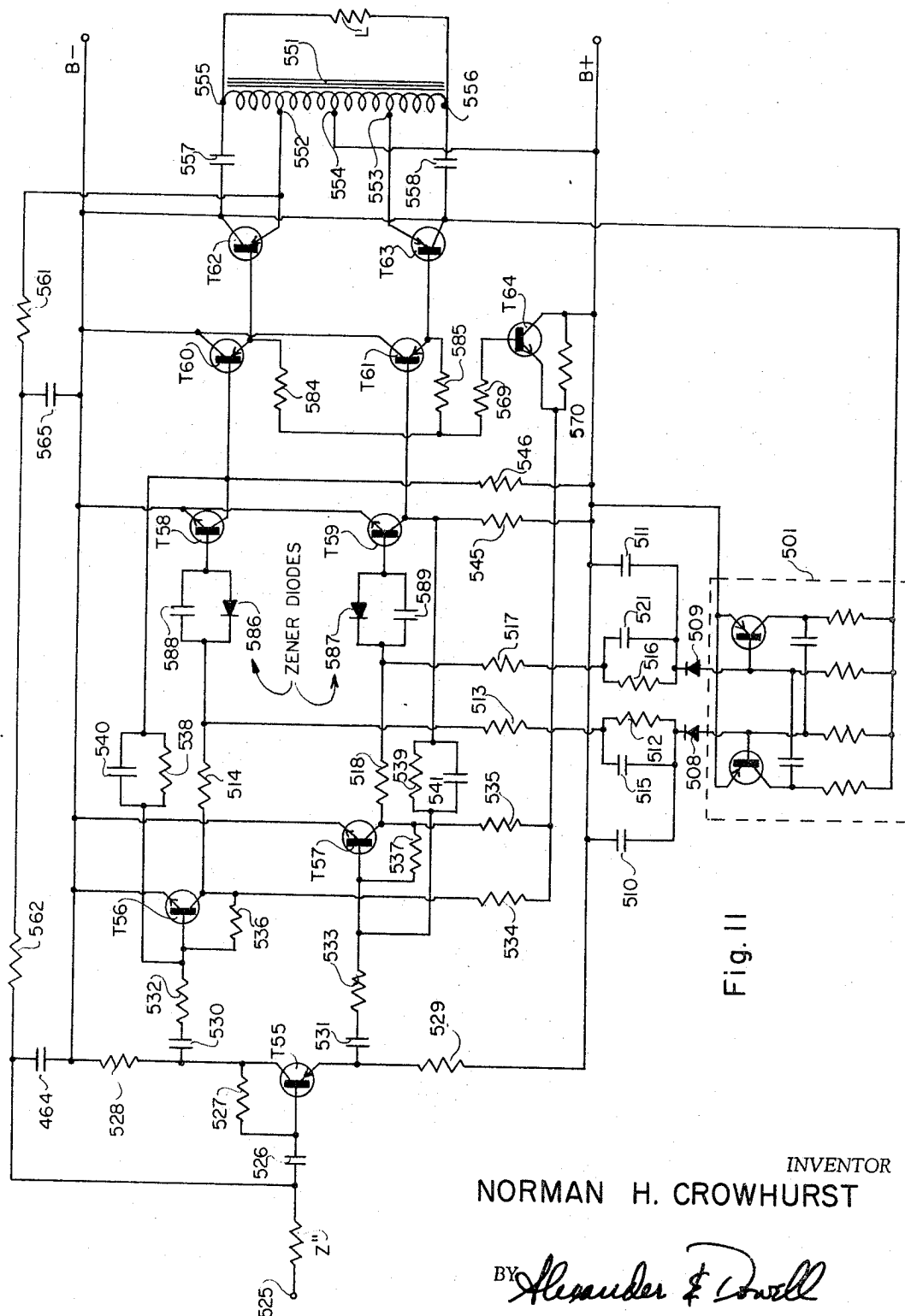


Fig. II

INVENTOR

NORMAN H. CROWHURST

BY *Alexander & Dowell*

ATTORNEY